



## Datasheet IB100

Remote Controlled Ethanol Burner 100 cm

Electronic ignition and safety sensors



### Specifications



#### CONTROLS

Remote control with on/off button  
Dry contact for home automation applications  
Remote control by Smartphone  
Remote orders



#### IGNITION-POWER SUPPLY

Automatic and safe ignition by low voltage  
electronic induction igniter.  
High-tech diaphragm feed pumps.



### SAFETY

Electronic sensors that automatically stop the device in the event of a malfunction  
(CO<sup>2</sup>, temperature, levels, tank gauge, etc.)



### STANDARDS

Burner complies with safety standards  
EC (Europe)  
FCC (USA)  
IC (Canada)

## Technical Specifications

**Remote control included**

**Tank capacity:** 12 Liters

**Consumption:** 1 Liter/hour

**Power:** 6200 Watts

**Dimensions:** 100 x 24 x 21.1 cm (L x W x H)

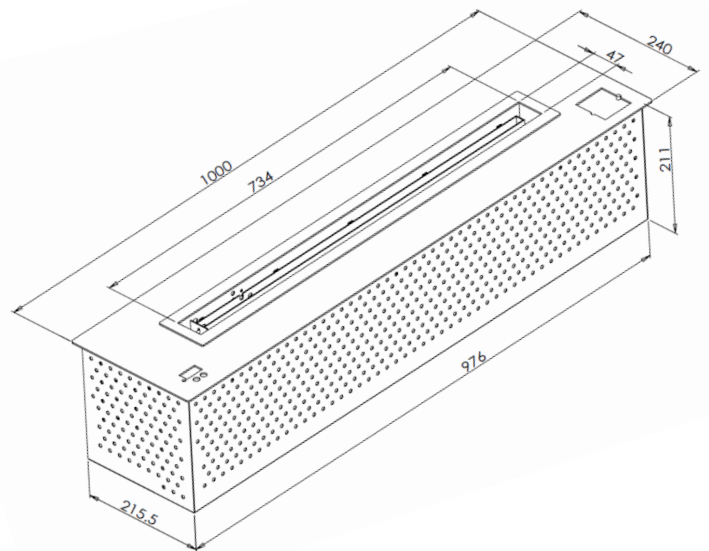
**Weight:** 20 kg

### Dimensions for installation in the bracket

**Length:** 98.1 cm

**Width:** 22 cm

**Depth:** 24 cm



## Operating instructions

### 1- Electrical connection

- Connect the 12V charger supplied to the block and then to an electrical outlet

### 2- Filling the tank



Caution: Use only denatured ethanol fuel 95 - 97%.  
Never fill the burner directly, fill the tank.

- Press the tank opening button and open the filling hatch.
- Connect the hose (3) to the block and press the automatic filling button (2).
- The block will automatically suck up ethanol and stop when full.
- Remove the hose and close the filling hatch which will lock automatically.



### 3- Start-up and shutdown

- Press the "On/Off" button on the top of the block, or
- Press the "On/Off" button on the remote control, or
- Activate the remote start/stop command

