



Datasheet IB210

Remote Controlled Ethanol Burner 210 cm

Electronic ignition and safety sensors



Specifications



CONTROLS

Remote control with on/off button
Dry contact for home automation applications
Remote control by Smartphone
Remote orders



IGNITION-POWER SUPPLY

Automatic and safe ignition by low voltage
electronic induction igniter.
High-tech diaphragm feed pumps.



SAFETY

Electronic sensors that automatically stop the device in the event of a malfunction
(CO², temperature, levels, tank gauge, etc.)



STANDARDS

Burner complies with safety standards
EC (Europe)
FCC (USA)
IC (Canada)

Technical Specifications

Remote control included

Tank capacity: 21 Liters

Consumption: 1.6 Liters/hour

Power : 13 800 Watts

Dimensions: 210 x 24 x 21.1 cm (L x W x H)

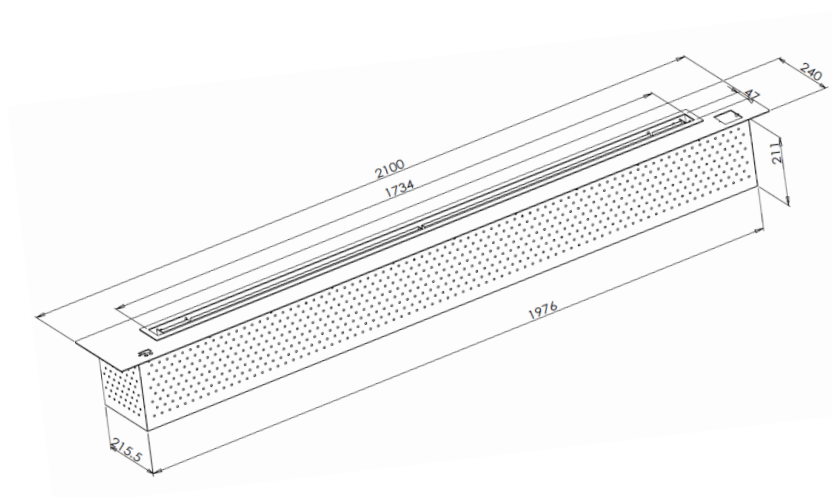
Weight: 52 kg

Dimensions for installation in the bracket

Length: 198.1 cm

Width: 22 cm

Depth: 24 cm



Operating instructions

1- Electrical connection

- Connect the 12V charger supplied to the block and then to an electrical outlet

2- Filling the tank



Caution: Use only denatured ethanol fuel 95 - 97%.
Never fill the burner directly, fill the tank.

- Press the tank opening button and open the filling hatch.
- Connect the hose (3) to the block and press the automatic filling button (2).
- The block will automatically suck up ethanol and stop when full.
- Remove the hose and close the filling hatch which will lock automatically.



3- Start-up and shutdown

- Press the "On/Off" button on the top of the block, or
- Press the "On/Off" button on the remote control, or
- Activate the remote start/stop command

